



# Vema WT Range



**Vema WT Range is designed for high performance water and foam tower operations**

Supplier for international rescue and industrial customers

**VEMA WT Range of Fire Fighting Aerials are specially designed to have a superior water and foam monitor performance.**

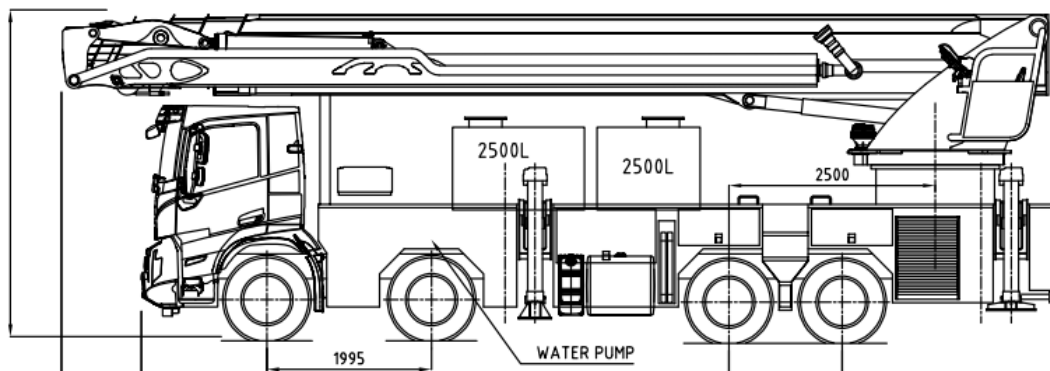
**Because of these superior fire extinction features. Vema WT range is ideal fire fighting vehicle, particularly for Petro – Chemical industries.**

**Vema WT is suitable for people to ascend and descend from the working cage to the ground, in any platform working position.**

**For fire-fighting operations these models can be equipped with a water pump and a remote-controlled water monitor in the platform, as well as foam & water tanks & foam proportioning systems.**

**VEMA WT Range Aerials are mounted onto a commercial standard truck chassis with adequate GVW and wheel bases.**

**VEMA WT Range Aerials are engineered in compliance with all related European CEN Safety Requirements, Norms and Standards.**



**FOR MORE INFORMATION CONTACT US:**

**Vema is the rescue industry's fire truck and system supplier. We manufacture and develop advanced and customized rescue vehicles globally.**

Vema Lift Oy • Lakimiehenkatu 2, 20780 Kaarina, Finland  
sales@vema.fi • [www.vema.fi](http://www.vema.fi) • +358 50 395 8509  
\*3800l/min optional